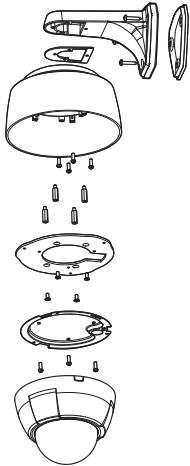


DA-WM1200 INSTALLATION MANUAL



This manual is intended for users of the DA-WM1200 wall mounting bracket. It includes instructions for mounting the DA-WM1200 wall mounting bracket to a wall.

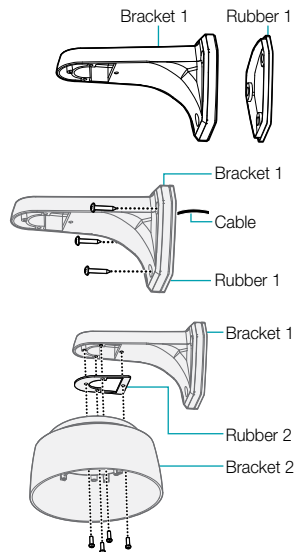


- **This bracket is intended to be used with DC-D series model of camera. Do not use it with other models of cameras.**
- **This installation should be performed by a qualified service personnel in conformance to all local codes.**
- **You may need to reinforce the wall. If the wall is not strong enough to support the camera, the camera may fall.**
- **Do not use this product for other purposes.**

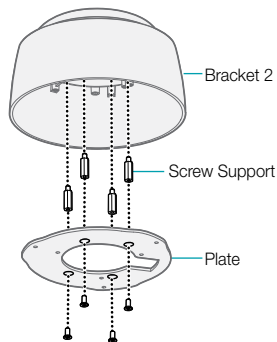
Mounting

Mount the bracket to the wall as follows:

- 1 Attach rubber 1 to bracket 1.
- 2 Insert cables from external devices, network and power adapter through the hole in the rear of bracket 1.
- 3 Mount bracket 1 to the wall by using the screws.
- 4 Attach rubber 2 onto bracket 2.
- 5 Screw bracket 2 to bracket 1.

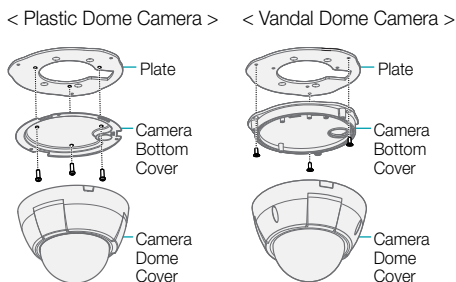


- 6 Connect hexagon screw supports to the screw holes marked as 4 on bracket 2.
- 7 Screw the plate to the hexagon screw supports.



Connect your camera to the bracket as follows:

- 8 Screw the camera bottom cover onto the plate.
- 9 Connect the camera dome cover onto the camera bottom cover.
- 10 Turn on power.



Dimensions

Unit: mm (inch)

